

TRADESMAN[®] **ROOF RACKS**

Commercial & 4WD Roof Rack Systems
ABN 35 055 011 753

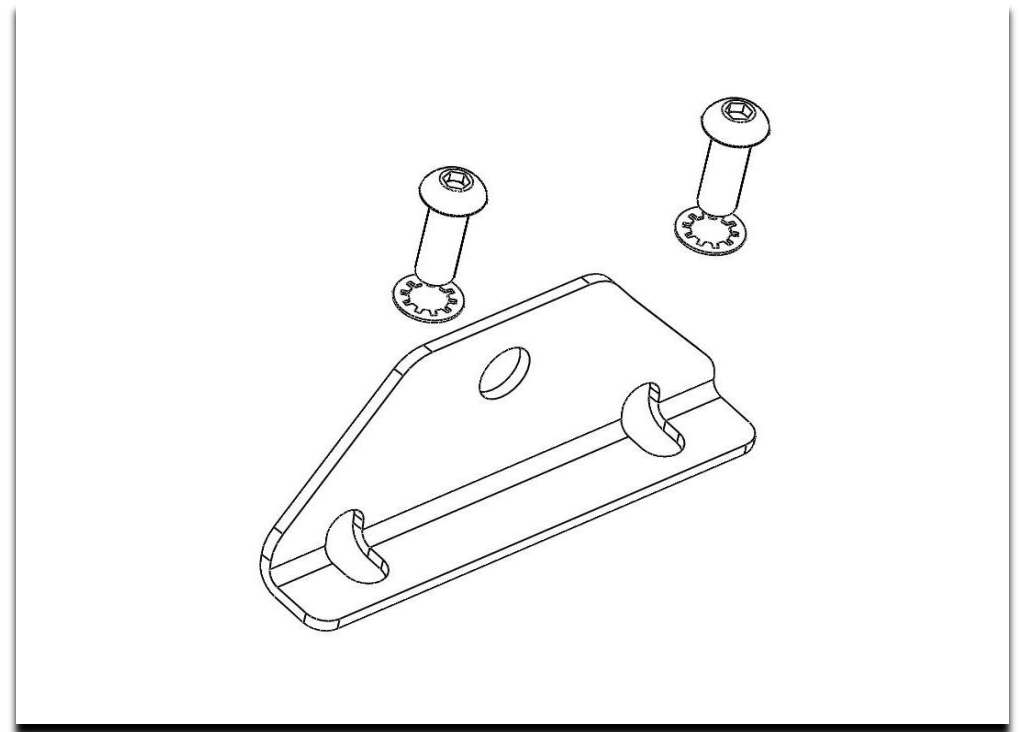
100 Series **Fitting Instructions**

Remove front, middle and rear plastic caps from roof strip

Remove exposed black clips and bolts. Do not remove single silver colored bolt from centre location.

Apply sealer liberally to exposed openings/holes

Attach lugs using 8MM Hardware to vehicle roof, ensuring vertical surface of lug is facing towards centre of roof.



Attach rails to lugs using 10MM hardware with marking (100) facing towards front of vehicle.

Fit 10MM UniNut Hardware to top of rail

Place rack on rail

Centre Rack on rail

Fully tighten remaining bolts

